

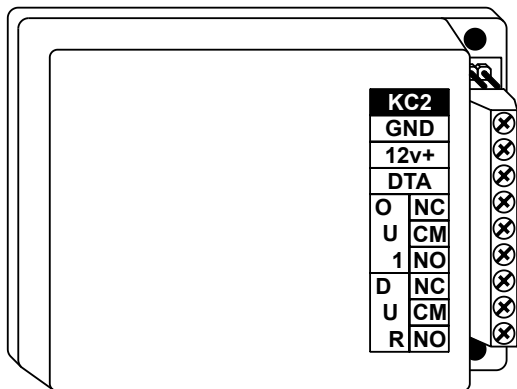


2 Relay Output Presco™ Keypad Decoder.

☉ N761

FEATURES

- Compatible with Presco™ PRE, PSE-NI & PSE-IL keypads.
- Split system for maximum security.
- Two 1Amp SPDT relay outputs.
- One way code for OU1 activation only.
- Emergency and Duress output feature.
- 29 client programmable user codes (125 optional).
- Code digits can repeat. i.e. 12321.
- 3 to 7 digit management and user codes.
- Minimum 19 million possible user code combinations.
- Up to 10 keypads can be connected to one decoder.
- 10 year non volatile memory.
- Operating Temperature Range: 0°C to 70°C.



1

SPECIFICATIONS

Input Voltage:	10-15V D.C.
Input Current:	15mA + 35mA per relay when operated.
OU1 & DUR contacts:	30V, 1A SPDT relays.
Max. KC2/Keypad separation:	1Km (max. return resistance 100Ω. Non shielded).
Dimensions:	88mm x 69mm x 25mm.
Weight:	200gms.

IMPORTANT! Disconnect all power during wiring.
Do not over-tighten terminal screws on decoder.

DECODER TERMINAL DESCRIPTIONS

- GND** Negative output or Ground from Power Supply.
- 12v+** 12 Volt D.C. positive from Power Supply.
- DTA** Data (white wire from Keypad).
- OU1** This output can be set up for timed or toggle operation (refer to memory 8) and operated with a programmed user code. However when it is set for toggle operation (default setting) it can also be turned on (only) using the built in One Way Code of [#]E (a valid OU1 code must be used to turn it off).
- DUR** This output is the Emergency/Duress output, it operates for a period of 1 second only.

DURESS OPERATION.

The DUR output operates for 1 second when either the emergency code of [*]E is used or a [*] is inserted into a valid user code. eg. if a valid code for OU1 is 1234E then using the code as [*]1234E or 12[*]34E, etc. will operate OU1 as usual but will also operate DUR for 1 second.

3

Design Philosophy - Problems and Solutions.

- 1/ Most keypads contain the switching relay and control wiring within the keypad housing. A skilled person could easily bypass the keypad function simply by removing it then manipulating the control wiring, a disastrous situation. Presco™ is "split" in 2 parts, so that the decoder can do all the processing at a remote protected environment. The code is transmitted between keypad and decoder in "computer" language, therefore cutting or shorting wires won't compromise security.
- 2/ Typical keypad installations require 7 or more wires thus increasing labour and cost. Presco™ uses only 4 wires to communicate arm/disarm, isolate, emergency, auxiliary, One Way Code, LED/buzzer feedback of code entry, acknowledgment of correct code, state of alarm, previous alarm warning, remote management code programming and power. Up to 10 keypads can be connected to a KC6 by simple parallel wiring. No synchronising is required.

PROTECTION.

The NIDAC Presco™ keypad system has a high immunity to all types of static, EMF, and RF transmissions including those of Police and CB radio systems. Reverse polarity and over voltage protection from lightning strike up to 10Kv is provided.

WARRANTY.

NIDAC SECURITY PTY. LTD. will repair or replace this product if proven to be faulty (excluding accidental or malicious damage) under the 36 month warranty offered from the date of purchase.

As NIDAC SECURITY PTY. LTD. or it's agents do not perform the final installation, inspection or training in the use of this product, they cannot be held liable for injury, loss or damage directly or consequentially arising from the use or misuse of this product.

Presco™ is a registered Trade Mark belonging to NIDAC SECURITY PTY. LTD. The Presco™ Keypad system is protected by provisional and pending patents in various countries including Australia.

The software design is protected internationally and remains the intellectual property of NIDAC SECURITY PTY. LTD.

Design improvement and specifications are subject to change without notice. All designs are copyright 1992 - 2004.

Designed and Manufactured by:
NIDAC SECURITY PTY. LTD.
2 Cromwell Street
Burwood, Victoria
Australia 3125

Phone: (03) 9808 6244
Fax: (03) 9808 9335
International: 61 3 9808...



Revision 2

2

KC2 Series 1 Instructions.doc 26/07/23

DISABLING THE EMERGENCY AND ONE WAY CODES.

The One Way Code of [#]E and Emergency code of [*]E can be disabled on an individual keypad basis by simply cutting the link on the back of the keypad.

OPERATING MODE RULES

- 1/ **2 Beeps** = successful code.
- 2/ **5 Beeps** = management code entered.
- 3/ a **Long Beep** = a non existent code.
a **pause** then a **Long Beep** = 5 unsuccessful "tries". (System is locked out for 1 minute).
The [] and Memory No. are NOT required in the OPERATE mode.*
- 5/ Cancel a wrong entry with [E], then re-try.

THE MEMORIES

Memory 0	Memory 1	Memory 2	Memory 3	Memory 4
NOT USED.	OU1 user codes.	NOT USED.	NOT USED.	NOT USED.
Memory 5	Memory 6	Memory 7	Memory 8	Memory 9
NOT USED.	NOT USED.	NOT USED.	Timed/toggle set-up.	Management code.

BASIC SETUP SEQUENCE

- 1/ Set OU1 as timed or toggle (Currently OU1 toggles). [Memory 8]
- 2/ Program MANAGEMENT CODE. [Memory 9]
- 3/ Program USER CODES. [Memory 1]

NOTE: Use the Program Link for steps 1 and 2 above (and step 3 if the management code is not used). Remove link when finished.

4

TIMED/TOGGLE SETUP. (MEMORY 8)

Factory preset to: **OU1 toggles.**

Memory 8 stores whether output 1 operates as toggle or timed (operate momentarily between 1 to 20 seconds).

The program link **must be on.**

- 1/ The first digit after the **8** represents the setting for output 1.
- 2/ All 5 digits after the **8** must be entered.
- 3/ The **value** of the digit determines the output's operate time in seconds.
 1=1s, 2=2s, 3=3s, 4=4s, 5=6s, 6=8s, 7=11s, 8=15s, 9=20s,
 0=TOGGLE.

Set Output times

- * 8 2 0 0 0 0 EOU1 = 2s (5 Beeps).
- * 8 0 0 0 0 0 EOU1 toggles (5 Beeps).

PROGRAMMING

PROGRAMMING MODE RULES.

- 1/ The ***** key = **Add.**
- 2/ The **#** key = **Delete.**
- 3/ Enter memory number (1 for OU1 user codes, 9 for the management code, etc.) **before** any programmable information. This ensures the information is directed to the correct memory location.
- 4/ **5 Beeps** = successful **Add** or **Delete.**
- 5/ **Long beep** warns that either codes are already in use, too long or short, or more than **125** codes have been used.
- 6/ Press each digit within 10 seconds after the preceding digit, otherwise information will be lost. If a wrong number is pressed, wait 10 seconds then start again.

NOTES:

- 1/ After trying the example codes below, delete them then add your own unique code/s. Avoid obvious codes like 1234.
- 2/ Up to 125 different user codes can be stored in **Memory 1.**
- 3/ Repeating digits, including the **#**, are allowed in codes eg. 2#3#3 provided that **#** is not the first digit.
- 4/ Codes can be from **3** to **7** digits in length.
- 5/ There are **NO** factory preset codes programmed.

THE MANAGEMENT CODE. (MEMORY 9)

Memory 9 stores the **Management** code which allows the **Program** mode to be entered from any keypad **without** the Program link. Use this feature if regularly changing codes, or the decoder is difficult to access. As supplied, no **Management** code exists.

To add, change or delete the **Management** code, the Program link **must be on.** The digits after the *****9 are the **Management** code.

Add Management Code

- * 9 2 4 6 E246 is the management code (5 Beeps).
- * 9 3 6 9 E369 has now over written 246 (5 Beeps).
- Restore operate mode.

Using the Management code

- 3 6 9 EProgram mode entered (5 beeps).
- * 1 4 5 6 E456 added to memory 1 user codes (5 Beeps).
- 3 6 9 EProgram mode exited (2 beeps).

Note: that the system automatically returns to the **Operate mode** after a single management function has been performed. i.e. add or delete a code. If the management function was not successful, the system still returns to the **Operate mode** (after a long beep).

Note: how **369E** replaces the Program link function but with the addition of the 5 beeps to clearly indicate which mode is current. All user code programming examples shown below could be done with the management code. **369 is an example only**, with the link ON overwrite it with a new code or delete with **#9E**.
REMOVE LINK.

Note: If after entering the **Management mode** you decide not to add or delete a code, then press **E** to return to the **Operate mode**.

Note: If the Management code is forgotten, use the program link to over write the forgotten code with a new code. This feature obsoletes factory preset or "house codes" which can compromise security.

USER CODES. (MEMORY 1)

The codes programmed into **Memory 1** are used to operate OU1.

The digits after the *****1 are the user code.

Add user codes Link **on both** pins (**Program mode**).

- * 1 5 6 7 E567 is added for OU1 (5 Beeps).
- * 1 6 7 8 E678 is also added for OU1 (5 Beeps).

Try user codes Park link **on 1** pin (**Operate mode**).

- 5 6 7 EOU1 turns on (1 Beep).
- 6 7 8 EOU1 turns off (2 Beeps).

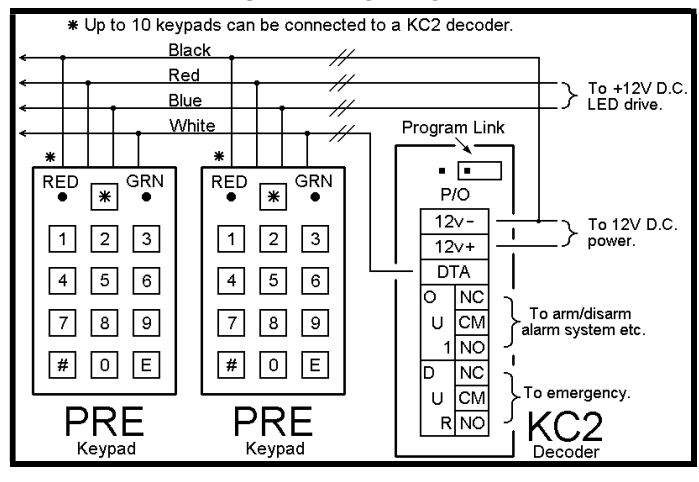
Delete a user code

- # 1 6 7 8 E678 is deleted from OU1 (5 Beeps), 567 remains.

Delete all user codes for an output

- # 1 EDeletes all codes stored for OU1 (5 Beeps).
- Restore operate mode.

BASIC WIRING DIAGRAM



OTHER MODELS AND ACCESSORIES.

- PAC1** 5A. 30V Electric Latch Control SPDT relay, 400 timed or toggled user codes, 12-24V D.C. or 16-24V A.C. operation. Door Open Too Long, Door Forced and EGRESS functions built in.
- PAC2** Same features as PAC1 but can control two doors independently.
- KC6** 6 Open Collector outputs, timed or toggled operation, 125 user codes, 12 Volt D.C. operation.
- PRE** Standard keypad encoder for any Presco™ decoder.
- PKG** Watertight gasket to increase water resistance of PRE.
- PSE** Metal vandal & weather resistant keypad encoder for any Presco™ decoder. Available as standard (PSE-NI) or back lit (PSE-IL).
- PIM** Presco™ Interface Module, can convert data to Presco™ PAC format or 26 bit Wiegand from Clock/Data (Magnetic Card Reader), Dallas iButton™, Presco™ or 26 bit Wiegand format.
- PRX** Proximity card reader for use with PAC1, PAC2 or 26 bit Wiegand input controller.